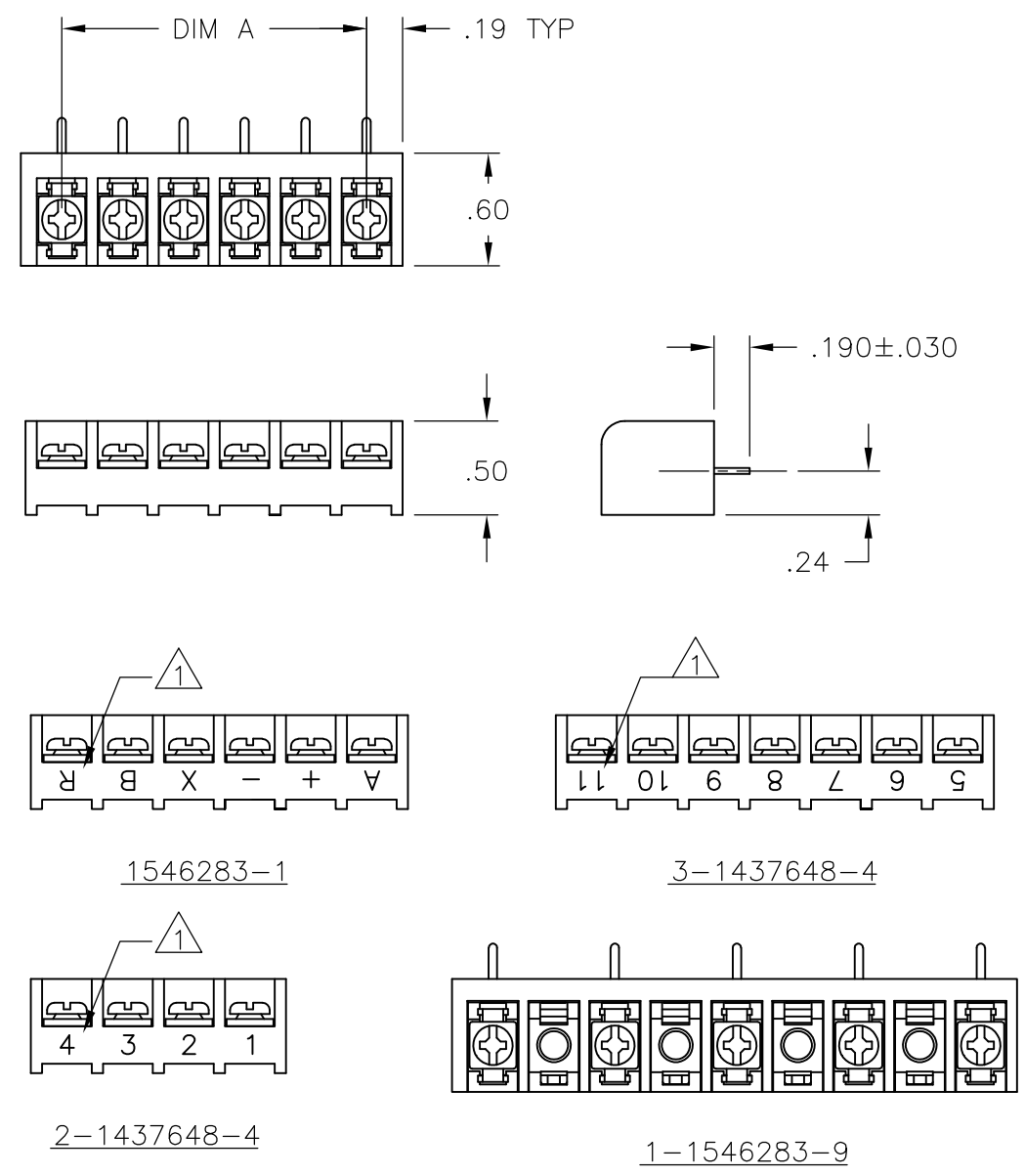


THIS DRAWING IS UNPUBLISHED. RELEASED FOR PUBLICATION  
 © COPYRIGHT - By - ALL RIGHTS RESERVED.

LOC FT	DIST 0	REVISIONS			
P	LTR	DESCRIPTION	DATE	DWN	APVD
	C1	REVISED PER ECO-11-004917	11MAR11	RK	HMR

- ① MARKED USING WHITE INK AS SHOWN.
- ② SCREWS BOTTOMED.
- ③ OBSOLETE PARTS: OBSOLETE CIS STREAMLINING PER D.RENAUD/D.SINISI



8.775	28	4PCR-28-006	1546279-1	
8.450	27	4PCR-27-006	1-1546283-6	
8.125	26	4PCR-26-006	1-1546283-5	
7.800	25	4PCR-25-006	1-1546283-4	
7.475	24	4PCR-24-006	9-1546119-1	
7.150	23	4PCR-23-006	4-1437648-9	
6.825	22	4PCR-22-006	1-1546283-3	
6.500	21	4PCR-21-006	1-1546283-2	
6.175	20	4PCR-20-006	1-1546283-1	
5.850	19	4PCR-19-006	1-1546283-0	
5.525	18	4PCR-18-006	1546283-9	
5.200	17	4PCR-17-006	4-1437648-8	
4.875	16	4PCR-16-006	1546283-8	
4.550	15	4PCR-15-006	1546283-7	
4.225	14	4PCR-14-006	1546283-6	
3.900	13	4PCR-13-006	1546283-5	
3.575	12	4PCR-12-006	9-1546119-0	
3.250	11	4PCR-11-006	1546283-4	
2.925	10	4PCR-10-006	8-1546119-9	
2.600	9	4PCR-05-526	1-1546283-9	
②③ OBSOLETE	2.600	9	4PCR-09-518	1546283-3
	2.600	9	4PCR-09-006	4-1437648-1
③ OBSOLETE	2.275	8	4PCR-08-006	3-1437648-8
	1.950	7	4PCR-07-444	3-1437648-4
③ OBSOLETE	1.950	7	4PCR-07-006	8-1546119-8
②③ OBSOLETE	1.625	6	4PCR-06-517	1546283-2
	1.625	6	4PCR-06-519	1546283-1
	1.625	6	4PCR-06-006	3-1437648-1
	1.300	5	4PCR-05-006	2-1437648-8
③ OBSOLETE	.975	4	4PCR-04-468	2-1437648-4
	.975	4	4PCR-04-006	2-1437648-3
	.650	3	4PCR-03-006	2-1437648-0
	.325	2	4PCR-02-006	1-1437648-8
DIM A REF	NO OF POS	CATALOG NUMBER	PART NO.	

THIS DRAWING IS A CONTROLLED DOCUMENT.

DWN S. SCHLEGEL 9/26/03	TE Connectivity
CHK S. YODER 9/26/03	
APVD S. YODER 9/26/03	
PRODUCT SPEC -	NAME 4PCR-XX-006 ASSEMBLY
APPLICATION SPEC -	SIZE A3
WEIGHT -	CAGE CODE 00779
CUSTOMER DRAWING	DRAWING NO C-2-1437648-0
	RESTRICTED TO -
	SCALE NTS
	SHEET 1 OF 2
	REV C1

4

3

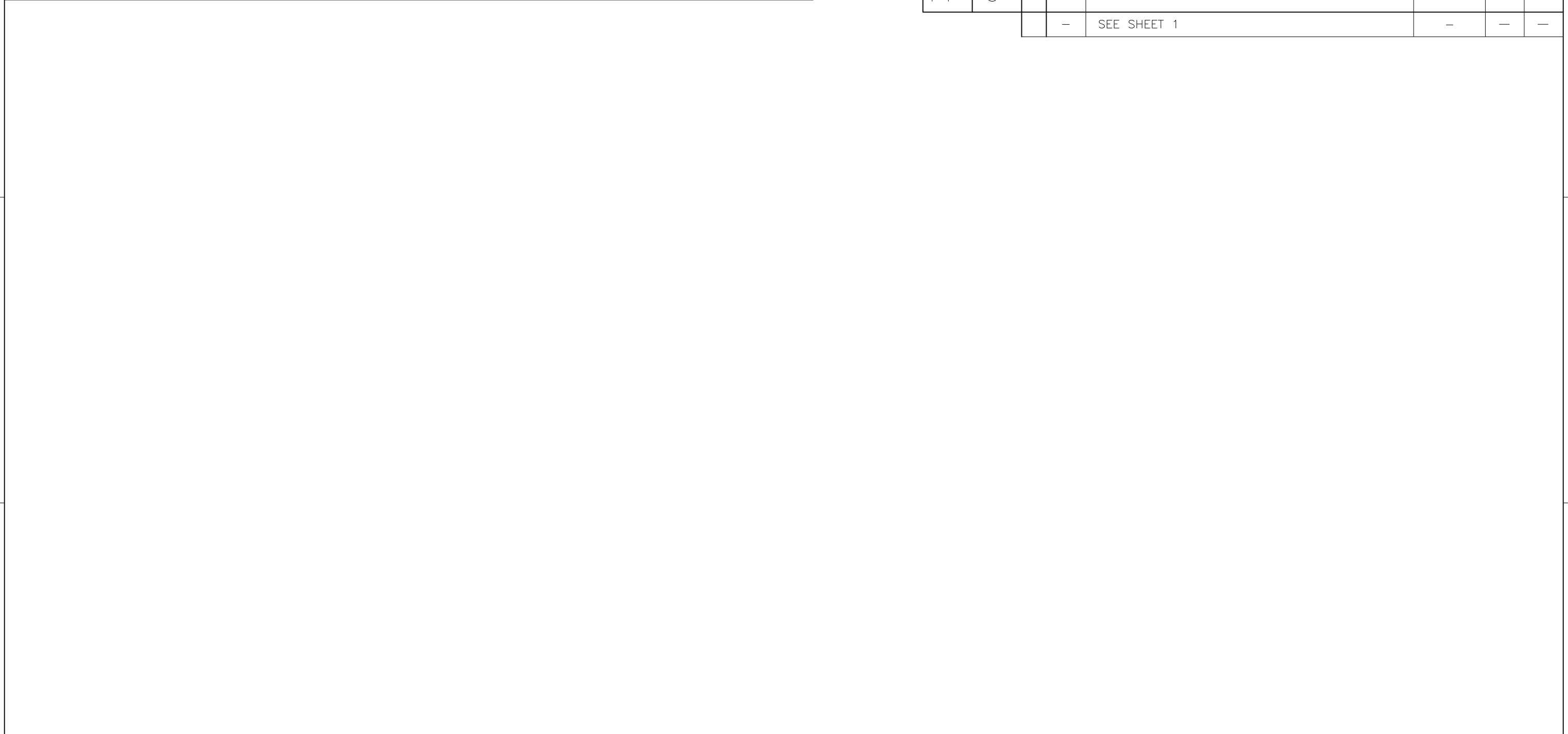
2

1


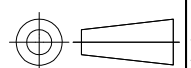
THIS DRAWING IS UNPUBLISHED.      RELEASED FOR PUBLICATION      - . - .

© COPYRIGHT - By -      ALL RIGHTS RESERVED.

LOC	DIST	REVISIONS					
FT	0	P	LTR	DESCRIPTION	DATE	DWN	APVD
		-		SEE SHEET 1	-	-	-



9.425	30	4PCR-30-006	1-1546283-8
9.100	29	4PCR-29-006	1-1546283-7
DIM A REF	NO OF POS	CATALOG NUMBER	PART NO.

THIS DRAWING IS A CONTROLLED DOCUMENT.		DWN	S. SCHLEGEL	9/26/03	 TE Connectivity		
DIMENSIONS: INCHES		CHK	S. YODER	9/26/03			
		APVD	S. YODER	9/26/03			
TOLERANCES UNLESS OTHERWISE SPECIFIED: 0 PLC ± - 1 PLC ± - 2 PLC ± .01 3 PLC ± .005 4 PLC ± - ANGLES ± 1°		PRODUCT SPEC		NAME			
MATERIAL		APPLICATION SPEC		4PCR-XX-006 ASSEMBLY			
FINISH		WEIGHT		SIZE	CAGE CODE	DRAWING NO	RESTRICTED TO
-		-		A3	00779	C-2-1437648-0	-
CUSTOMER DRAWING				SCALE	NTS	SHEET	2 OF 2
						REV	C1